



RESIN INSULATION DRY-TYPE POWER TRANSFORMER

树脂绝缘干式变压器



PROFESSIONAL · PRODUCE

产品特点

Features of Products

树脂绝缘干式变压器是我公司引进国外先进技术，自主开发了SC9、SCB9系列以及SC10、SCB10系列带填料薄绝缘干式变压器，由于线圈被环氧树脂包封，所以难燃，防火、防爆，免维护，无污染，体积小，可直接安装在负荷中心。同时科学合理的设计和浇注工艺，使产品局部放电电量更小，噪声低，散热能力强，在强迫风冷条件下可以在140%额定负载下长期运行，并配有智能温控仪，具有故障报警，超温报警，超温跳闸以及黑闸子功能，并通过RS485串行接口与计算机相连，可以集中监视和控制。

由于我公司干式变压器具有以上特点，因此广泛应用于输变电系统，如宾馆饭店，机场，高层建筑，商业中心，住宅小区等重要场所，以及地铁，冶炼电厂，轮船，海洋钻井平台等环境恶劣场所。

With the advanced technology brought in from overseas, we developed SC9、SCB9 series and SC10、SCB10 series padding thin-insulation dry-type distributing transformer whose winding is sealed up with epoxy, therefore the resin insulating dry-type transformer is flame-retardant, explosion-proof, free from maintenance and pollution, and it is compacted and can go deep into load center. Besides, with scientific and reasonable design and coating craftwork, it has advantages of low partial discharge capacity, low noise, good heat dispersion and it can run over a long time with 140% rated load in the circumstance of cold wind. It applies intelligent thermal controller and has the functions that it will alarm when there is fault or the temperature is exceeded and switch off as well as the function of "black box". It can be monitored and controlled by connecting it to the computer through its RS485 serial interface.

Therefore, it is widely used in the places such as hotel, restaurant, airport, power plant, hospital, skyscraper, shopping center, and residential areas and other adverse environments like subways, smelt and power plant, ship, offshore drilling platform, etc.

铁心

Core

铁心选用进口优质冷轧硅钢片，全斜接缝结构，心柱采用F级无纬粘带绑扎，铁心表面采用环氧树脂包封，降低了空载损耗，空载电流和铁心噪声，夹件和紧固件经特殊表面处理，使产品外观质量有了进一步提高。

The iron core adopts imported high-quality cold-rolled silicon-steel plate and three steps fully-inclined echelon joint form. The colligation of the core adopts the F grade non-latitude belt and its winding enveloped by epoxy resin cast. The non-load loss and non-load current, core noise are reduced. The outlook of the product is improved by special treatment of the surface of fasteners and clamp pieces.





高压绕组

High-voltage winding

高压绕组用带填料环氧树脂真空浇注，极大地减小了局放量，提高了线圈电气强度，绕组内外壁用玻璃纤维网格板填充，增强了线圈的机械强度，提高了产品抗突发短路的能力，线圈永不开裂。

High-voltage winding applies vacuum pouring of padding epoxy resin which, at high level, reduces partial discharge capacity and elevates the electric strength of coils. The inside and outside of the winding is buildup with glass fiber grid overlay which strengthens the mechanical robustness and improves the resistance of short-circuits and ensures the coils will never crack.

低压绕组

Low-voltage winding

低压绕组采用箔式结构，解决了用线绕时轴向螺旋角问题，使安匝更平衡，同时线圈采用轴向冷却风道，增强了散热能力，绕组层间采用了DMD环氧树脂预浸布，整体固化成形。

Low-voltage winding applies the structure that wound by copper foil which solves the problem that the axle would point to the helix angle when winds and make the ampere-turn of winding distribute evenly. Meanwhile, the coils applies axial fan which improves the heat dispersion. Between the layers of winding, it applies DMD epoxy resin preliminary dip cloth and makes it whole solidification forming.



制造工艺

Production technology

线圈在高精度绕线机上绕制，低压绕组采用箔式绕制结构。变压器容量较大时有通风道。绕制完毕后进行真空干燥，整个浇注及固化过程完全按照工艺要求进行操作，所有过程都需有严格的监视，并视情况进行调整。浇注的精密制造过程使线圈无气泡、空穴，使制成的变压器达到优质运行效果。

The coil can be wound on the high-accuracy winding machine, the low-winding adoption the structure that the winding by cooper foil. Firstly, to cast grass fiber around the external and internal of the windings. there designed to be armed air passage for transformer of large capacity. Afterward, to vacuum dry it. The whole casting and solidifying process completely to carry on an operation according to the craft request, and see a circumstance to carry on adjustment. The precise process ensures free bubble and free hole of winding, make the transformer for making into attain superior quality circulate result.

温控系统和风冷系统

Temperature control system

采用横流顶吹式冷却风机，该冷却风机具有噪声小，风压高，外形美观等特点，增强了变压器的过载能力。温度控制采用智能温控仪，提高了变压器运行安全可靠。

It applies crosscurrent top-blow cooling fan which has characteristics of low noise, high wind pressure and good looking, etc. the fan improves the overload capability of the transformer. The intelligent thermal controller improves the reliability of the operation of the transformer.



保护外壳和出线母排

Protect Shield Cover

保护外壳对变压器作进一步的安全保护，防护等级有IP20、IP23等，外壳材料有冷轧钢板，不锈钢板等供用户选择。

低压出线用标准母线排出线，侧出线和顶出线均可，也可为用户设计特殊出线方式。

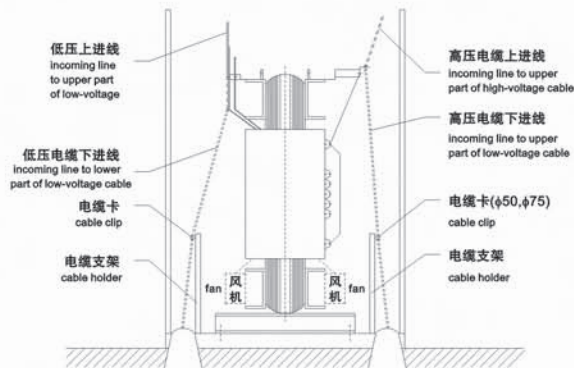
The shell makes further protection for the transformer. For users option, the grade of protection has IP20、IP23, etc. And the material has sort of cold-rolled steel plates and stainless steel plates, etc.

The low-voltage outgoing line can adopt the method of standard bus bar group outgoing line, outgoing on the transverse side and upper part as well as the very method that designed by the users.

变压器出线方式

lead type of transformer

可根据不同的接口形式制造常规的出线、标准封闭母线和标准侧出线，也可以根据用户要求设计特殊出线方式。It can produce routine lead type, standard closed busbar lead type and standard side lead type, also special lead type according to the customers' demand.



进出线方式示意图
sketch map of method of ingoing and outgoing line

树脂绝缘干式变压器

RESIN INSULATION DRY-TYPE POWER TRANSFORMER

型号含义

Type Meaning



产品标准

product standard

GB/T10228-1997 GB6450-1986 JB/T10088-2004 GB4208-1993

额定高压 rated high-voltage: 10(11, 10.5, 6.6, 6.3, 6)kV 额定低压 rated low-voltage: 0.4kV

联结组别 connection group: Dyn11或Yyn0

高压分接范围 tapping range of high-voltage: $\pm 5\%$ 或 $\pm 2 \times 2.5\%$

绝缘水平 insulating level: LI 75AC35/LI 0AC5

频率 frequency: 50Hz

10kV级 SC(B)9系列树脂绝缘干式变压器技术参数

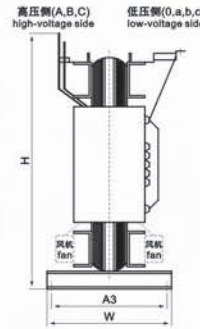
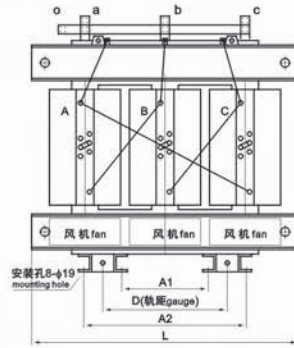
Tech data of 10kV SC(B)9 series resin insulation dry-type power transformer

| 额定容量 rated capacity (kVA) | 电压组合 voltage group (kV) | 联结方式 connection method | 损耗(kW) dissipation | | 空载电流 (%) no-load current | 阻抗电压 (%) impedance voltage | 绝缘等级 insulating level | 重量(Kg) weight |
|---------------------------------|---|------------------------------|-----------------------|-------------------|-----------------------------------|-------------------------------------|-----------------------------|------------------|
| | | | 空载 no-load | 负载(120°C) load | | | | |
| 10 | 高压 11 10.5 10 6.3 6 低压 0.4 | Dyn11 或 Yyno | 0.150 | 0.325 | 4.5 | 4 | F/F | 130 |
| 20 | | | 0.185 | 0.630 | 4.0 | | | 170 |
| 30 | | | 0.215 | 0.750 | 3.2 | | | 330 |
| 50 | | | 0.305 | 1.055 | 2.8 | | | 380 |
| 63 | | | 0.370 | 1.280 | 2.7 | | | 440 |
| 80 | | | 0.415 | 1.460 | 2.6 | | | 510 |
| 100 | | | 0.450 | 1.665 | 2.4 | | | 590 |
| 125 | | | 0.530 | 1.955 | 2.2 | | | 650 |
| 160 | | | 0.610 | 2.250 | 2.2 | | | 780 |
| 200 | | | 0.700 | 2.675 | 2.0 | | | 930 |
| 250 | | | 0.810 | 2.920 | 2.0 | | | 1040 |
| 315 | | | 0.990 | 3.670 | 1.8 | | | 1180 |
| 400 | | | 1.100 | 4.220 | 1.8 | | | 1450 |
| 500 | | | 1.305 | 5.170 | 1.8 | | | 1630 |
| 630 | | | 1.510 | 6.220 | 1.6 | | | 1900 |
| 630 | | | 1.460 | 6.310 | 1.6 | | | 1900 |
| 800 | | | 1.710 | 7.360 | 1.6 | | | 2290 |
| 1000 | | | 1.990 | 8.600 | 1.4 | | | 2700 |
| 1250 | 2.350 | 10.26 | 1.4 | 3130 | | | | |
| 1600 | 2.755 | 12.42 | 1.4 | 3740 | | | | |
| 2000 | 3.735 | 15.30 | 1.2 | 4150 | | | | |
| 2500 | 4.500 | 18.18 | 1.2 | 4810 | | | | |
| 3150 | 5.780 | 23.70 | 1.0 | 5800 | | | | |
| 4000 | 6.700 | 28.50 | 1.0 | 7100 | | | | |

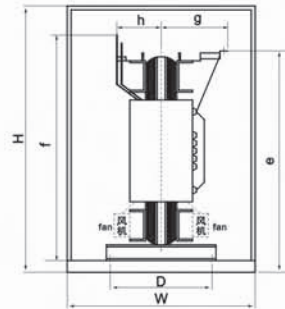
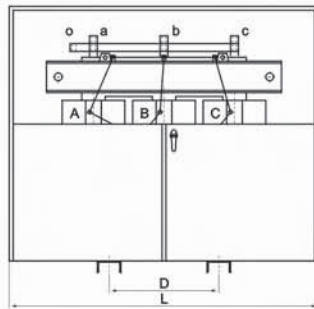
树脂绝缘干式变压器 RESIN INSULATION DRY-TYPE POWER TRANSFORMER

外形尺寸

Outline dimension



SC(B)9-□~□/10-0.4外形尺寸图
Outline dimension of SC (B) 9-□/□



SC(B)9-□~□/10-0.4带外壳外形尺寸图
Outline dimension of SC (B) 9-□/□ type with protective casing

| 额定容量 rated capacity (kVA) | 外形尺寸(mm) outline dimension | | | | | | | 带保护外壳外形尺寸(mm) outline dimension with protective casing | | | | | | | |
|---------------------------------|-------------------------------|------|------|------|------|------|------|---|------|------|------|------|------|-----|-----|
| | L | W | H | D | A1 | A2 | A3 | L | W | H | D | e | f | g | h |
| 10 | 600 | 400 | 520 | 400 | 400 | 400 | 350 | 900 | 900 | 1150 | 400 | 850 | 840 | 250 | 150 |
| 20 | 600 | 400 | 520 | 400 | 400 | 400 | 350 | 900 | 900 | 1150 | 400 | 850 | 840 | 250 | 150 |
| 30 | 670 | 500 | 720 | 350 | 350 | 350 | 450 | 1050 | 800 | 1000 | 350 | 600 | 720 | 210 | 210 |
| 50 | 690 | 500 | 770 | 350 | 350 | 350 | 450 | 1050 | 900 | 1050 | 350 | 650 | 770 | 220 | 220 |
| 63 | 690 | 500 | 810 | 350 | 350 | 350 | 450 | 1050 | 900 | 1100 | 350 | 690 | 810 | 220 | 220 |
| 80 | 720 | 500 | 840 | 400 | 400 | 400 | 450 | 1100 | 900 | 1150 | 400 | 720 | 840 | 230 | 230 |
| 100 | 750 | 500 | 860 | 450 | 450 | 450 | 550 | 1150 | 1000 | 1150 | 450 | 740 | 860 | 240 | 240 |
| 125 | 950 | 600 | 910 | 550 | 550 | 550 | 550 | 1350 | 1050 | 1200 | 550 | 870 | 910 | 300 | 210 |
| 160 | 1020 | 600 | 960 | 550 | 550 | 550 | 550 | 1400 | 1050 | 1250 | 550 | 920 | 960 | 310 | 220 |
| 200 | 1070 | 600 | 1060 | 550 | 550 | 550 | 550 | 1450 | 1100 | 1350 | 550 | 1020 | 1060 | 315 | 225 |
| 250 | 1100 | 710 | 1120 | 660 | 660 | 660 | 660 | 1500 | 1150 | 1400 | 660 | 1090 | 1120 | 320 | 230 |
| 315 | 1120 | 710 | 1140 | 660 | 660 | 660 | 660 | 1500 | 1200 | 1450 | 660 | 1100 | 1140 | 325 | 235 |
| 400 | 1210 | 870 | 1240 | 660 | 660 | 660 | 660 | 1600 | 1250 | 1600 | 660 | 1130 | 1240 | 360 | 320 |
| 500 | 1240 | 870 | 1310 | 820 | 820 | 820 | 820 | 1600 | 1300 | 1650 | 820 | 1180 | 1310 | 370 | 330 |
| 630 | 1400 | 870 | 1400 | 820 | 820 | 820 | 820 | 1800 | 1300 | 1700 | 820 | 1280 | 1390 | 360 | 320 |
| 630 | 1460 | 870 | 1340 | 820 | 820 | 820 | 820 | 1850 | 1300 | 1650 | 820 | 1230 | 1340 | 350 | 310 |
| 800 | 1550 | 870 | 1460 | 820 | 820 | 820 | 820 | 1900 | 1300 | 1800 | 820 | 1340 | 1460 | 360 | 320 |
| 1000 | 1600 | 870 | 1620 | 820 | 820 | 820 | 820 | 1950 | 1300 | 1950 | 820 | 1430 | 1620 | 370 | 325 |
| 1250 | 1680 | 1120 | 1700 | 1070 | 1070 | 1070 | 1070 | 2050 | 1350 | 2000 | 1070 | 1490 | 1700 | 385 | 340 |
| 1600 | 1750 | 1120 | 1790 | 1070 | 1070 | 1070 | 1070 | 2100 | 1400 | 2100 | 1070 | 1570 | 1790 | 410 | 370 |
| 2000 | 1770 | 1120 | 1810 | 1070 | 1070 | 1070 | 1070 | 2150 | 1500 | 2100 | 1070 | 1520 | 1810 | 430 | 405 |
| 2500 | 1840 | 1120 | 1930 | 1070 | 1070 | 1070 | 1070 | 2200 | 1500 | 2200 | 1070 | 1640 | 1930 | 440 | 420 |
| 3150 | 1950 | 1120 | 1900 | 1070 | 1070 | 1070 | 1070 | 2350 | 1600 | 2250 | 1070 | 1600 | 1900 | 455 | 435 |
| 4000 | 2030 | 1120 | 2000 | 1070 | 1070 | 1070 | 1070 | 2400 | 1600 | 2300 | 1070 | 1700 | 2000 | 470 | 450 |

型号含义

Type Meaning

S C (B) 10 - □ / □



产品标准

product standard

GB/T10228-1997 GB6450-1986 JB/T10088-2004 GB4208-1993

额定高压 rated high-voltage: 10(11, 10.5, 6.6, 6.3, 6)kV 额定低压 rated low-voltage: 0.4kV

联结组别 connection group: Dyn11或Yyn0

高压分接范围 tapping range of high-voltage: $\pm 5\%$ 或 $\pm 2 \times 2.5\%$

绝缘水平 insulating level: LI 75AC35/LI 0AC5

频率 frequency: 50Hz

10kV级 SC(B)10系列树脂绝缘干式变压器技术参数

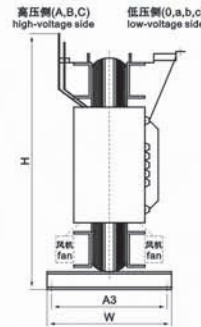
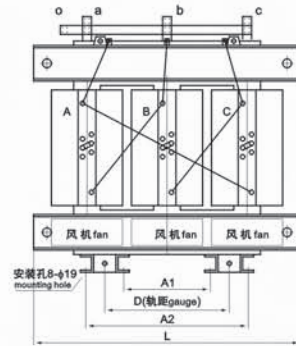
Tech data of 10kV SC(B)10 series resin insulation dry-type power transformer

| 额定容量 rated capacity (kVA) | 电压组合 voltage group (kV) | 联结方式 connection method | 损耗(kW) dissipation | | 空载电流 (%) no-load current | 阻抗电压 (%) impedance voltage | 绝缘等级 insulating level | 重量(Kg) weight |
|---------------------------------|--|------------------------------|-----------------------|------------------|-----------------------------------|-------------------------------------|-----------------------------|------------------|
| | | | 空载 no-load | 负载(120℃) load | | | | |
| 10 | 高压 11 10.5 10 6.3 6 6.3 0.4 低压 | Dyn11 或 Yyno | 0.135 | 0.305 | 4.0 | 4 | F/F | 135 |
| 20 | | | 0.170 | 0.595 | 3.5 | | | 180 |
| 30 | | | 0.195 | 0.705 | 2.6 | | | 330 |
| 50 | | | 0.270 | 0.995 | 2.2 | | | 380 |
| 63 | | | 0.330 | 1.210 | 2.2 | | | 440 |
| 80 | | | 0.370 | 1.380 | 2.2 | | | 510 |
| 100 | | | 0.400 | 1.570 | 2.0 | | | 590 |
| 125 | | | 0.470 | 1.850 | 1.8 | | | 650 |
| 160 | | | 0.545 | 2.130 | 1.8 | | | 780 |
| 200 | | | 0.625 | 2.530 | 1.6 | | | 930 |
| 250 | | | 0.720 | 2.760 | 1.6 | | | 1040 |
| 315 | | | 0.880 | 3.470 | 1.4 | | | 1180 |
| 400 | | | 0.975 | 3.990 | 1.4 | | | 1450 |
| 500 | | | 1.160 | 4.880 | 1.4 | | | 1630 |
| 630 | | | 1.345 | 5.870 | 1.2 | | | 1900 |
| 630 | | | 1.300 | 5.960 | 1.2 | | | 1900 |
| 800 | | | 1.520 | 6.955 | 1.2 | | | 2290 |
| 1000 | | | 1.770 | 8.130 | 1.1 | | | 2700 |
| 1250 | 2.090 | 9.690 | 1.1 | 3130 | | | | |
| 1600 | 2.450 | 11.73 | 1.1 | 3740 | | | | |
| 2000 | 3.320 | 14.45 | 1.0 | 4150 | | | | |
| 2500 | 4.000 | 17.17 | 1.0 | 4810 | | | | |
| 3150 | 5.140 | 22.50 | 0.8 | 5800 | | | | |
| 4000 | 5.960 | 27.00 | 0.8 | 7100 | | | | |

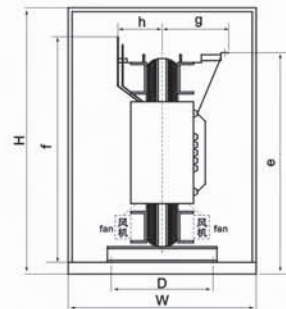
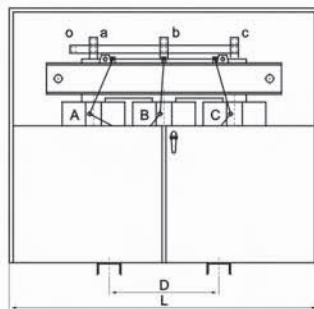
树脂绝缘干式变压器 RESIN INSULATION DRY-TYPE POWER TRANSFORMER

外形尺寸

Outline dimension



SC(B)10-□~□/10-0.4外形尺寸图
Outline dimension of SC (B) 10-□□



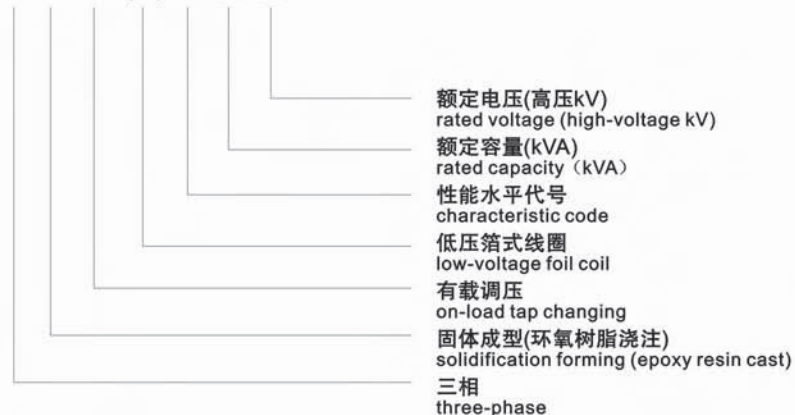
SC(B)10-□~□/10-0.4带外壳外形尺寸图
Outline dimension of SC (B) 10-□□ type with protective casing

| 额定容量 rated capacity (kVA) | 外形尺寸(mm) outline dimension | | | | | | | 带保护外壳外形尺寸(mm) outline dimension with protective casing | | | | | | | |
|---------------------------------|-------------------------------|------|------|------|------|------|------|---|------|------|------|------|------|-----|-----|
| | L | W | H | D | A1 | A2 | A3 | L | W | H | D | e | f | g | h |
| 10 | 600 | 510 | 520 | 400 | 400 | 400 | 450 | 900 | 900 | 1200 | 400 | 850 | 840 | 250 | 150 |
| 20 | 600 | 400 | 520 | 400 | 400 | 400 | 450 | 900 | 900 | 1200 | 400 | 850 | 840 | 250 | 150 |
| 30 | 670 | 500 | 720 | 350 | 350 | 350 | 450 | 1050 | 800 | 1000 | 350 | 600 | 720 | 210 | 210 |
| 50 | 690 | 500 | 770 | 350 | 350 | 350 | 450 | 1050 | 900 | 1050 | 350 | 650 | 770 | 220 | 220 |
| 63 | 690 | 500 | 810 | 350 | 350 | 350 | 450 | 1050 | 900 | 1100 | 350 | 690 | 810 | 220 | 220 |
| 80 | 720 | 500 | 840 | 400 | 400 | 400 | 450 | 1100 | 900 | 1150 | 400 | 720 | 840 | 230 | 230 |
| 100 | 750 | 500 | 860 | 450 | 450 | 450 | 550 | 1150 | 1000 | 1150 | 450 | 740 | 860 | 240 | 240 |
| 125 | 950 | 600 | 910 | 550 | 550 | 550 | 550 | 1350 | 1050 | 1200 | 550 | 870 | 910 | 300 | 210 |
| 160 | 1020 | 600 | 960 | 550 | 550 | 550 | 550 | 1400 | 1050 | 1250 | 550 | 920 | 960 | 310 | 220 |
| 200 | 1070 | 600 | 1060 | 550 | 550 | 550 | 550 | 1450 | 1100 | 1350 | 550 | 1020 | 1060 | 315 | 225 |
| 250 | 1100 | 710 | 1120 | 660 | 660 | 660 | 660 | 1500 | 1150 | 1400 | 660 | 1090 | 1120 | 320 | 230 |
| 315 | 1120 | 710 | 1140 | 660 | 660 | 660 | 660 | 1500 | 1200 | 1450 | 660 | 1100 | 1140 | 325 | 235 |
| 400 | 1210 | 870 | 1240 | 660 | 660 | 660 | 660 | 1600 | 1250 | 1600 | 660 | 1130 | 1240 | 360 | 320 |
| 500 | 1240 | 870 | 1310 | 820 | 820 | 820 | 820 | 1600 | 1300 | 1650 | 820 | 1180 | 1310 | 370 | 330 |
| 630 | 1400 | 870 | 1400 | 820 | 820 | 820 | 820 | 1800 | 1300 | 1700 | 820 | 1280 | 1390 | 360 | 320 |
| 630 | 1460 | 870 | 1340 | 820 | 820 | 820 | 820 | 1850 | 1300 | 1650 | 820 | 1230 | 1340 | 350 | 310 |
| 800 | 1550 | 870 | 1460 | 820 | 820 | 820 | 820 | 1900 | 1300 | 1800 | 820 | 1340 | 1460 | 360 | 320 |
| 1000 | 1600 | 870 | 1620 | 820 | 820 | 820 | 820 | 1950 | 1300 | 1950 | 820 | 1430 | 1620 | 370 | 325 |
| 1250 | 1680 | 1120 | 1700 | 1070 | 1070 | 1070 | 1070 | 2050 | 1350 | 2000 | 1070 | 1490 | 1700 | 385 | 340 |
| 1600 | 1750 | 1120 | 1790 | 1070 | 1070 | 1070 | 1070 | 2100 | 1400 | 2100 | 1070 | 1570 | 1790 | 410 | 370 |
| 2000 | 1770 | 1120 | 1810 | 1070 | 1070 | 1070 | 1070 | 2150 | 1500 | 2100 | 1070 | 1520 | 1810 | 430 | 405 |
| 2500 | 1840 | 1120 | 1930 | 1070 | 1070 | 1070 | 1070 | 2200 | 1500 | 2200 | 1070 | 1640 | 1930 | 440 | 420 |
| 3150 | 1950 | 1120 | 1900 | 1070 | 1070 | 1070 | 1070 | 2350 | 1600 | 2250 | 1070 | 1600 | 1900 | 455 | 435 |
| 4000 | 2030 | 1120 | 2000 | 1070 | 1070 | 1070 | 1070 | 2400 | 1600 | 2300 | 1070 | 1700 | 2000 | 470 | 450 |

型号含义

Type Meaning

S C Z (B) 9 -□/□



产品标准

Product standard

GB/T 10228-1997 GB6450-1986 JB/T10088-2004 GB4208-1993

额定高压 rated high voltage: 10 (11、10.5、6.6、6.3、6) kV

额定低压 rated low voltage: 0.4kV

有载调压范围 on-load regulation range: (±4×2.5%) 或 (±3×2.5%)

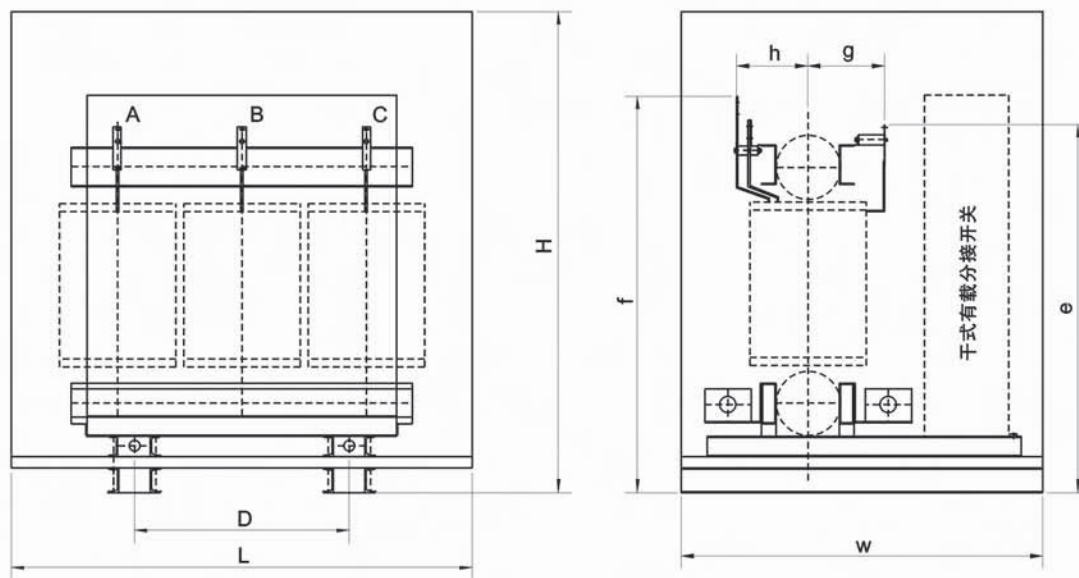
10kV级 SCZ(B)9系列有载调压树脂绝缘干式变压器技术参数

Tech data of 10kV SCZ(B)9 series resin insulation dry-type power transformer

| 额定容量 rated capacity (kVA) | 电压组合 voltage group (kV) | 联结 方式 connection method | 损耗(kW) dissipation | | 空载电流 (%) no-load current | 阻抗电压 (%) impedance voltage | 绝缘等级 insulating level | 重量(Kg) weight |
|---------------------------------|------------------------------------|----------------------------------|-----------------------|------------------|-----------------------------------|-------------------------------------|-----------------------------|------------------|
| | | | 空载 no-load | 负载(120℃) load | | | | |
| 200 | 高压 11 10.5 10 6.3 6 | Dyn11 或 Yyno | 0.770 | 2.810 | 2.0 | 4 | F/F | 1180 |
| 250 | | | 0.890 | 3.060 | 2.0 | | | 1290 |
| 315 | | | 1.090 | 3.825 | 1.8 | | | 1430 |
| 400 | | | 1.215 | 4.490 | 1.8 | | | 1700 |
| 500 | | | 1.440 | 5.455 | 1.8 | 1880 | | |
| 630 | | | 1.600 | 6.630 | 1.6 | 2150 | | |
| 800 | | | 1.880 | 7.840 | 1.6 | 2540 | | |
| 1000 | | | 2.200 | 9.270 | 1.4 | 2950 | | |
| 1250 | | | 2.580 | 11.16 | 1.4 | 3380 | | |
| 1600 | | | 3.030 | 13.14 | 1.4 | 3990 | | |
| 2000 | 低压 0.4 | | 4.140 | 16.11 | 1.2 | 6 | 4400 | |
| 2500 | | | 4.950 | 19.17 | 1.2 | | 5060 | |
| 3150 | | | 6.360 | 24.89 | 1.0 | | 6050 | |
| 4000 | | | 7.370 | 29.93 | 1.0 | | 7350 | |

外形尺寸

Outline dimension



SCZ(B)9-□~□/10-0.4外形尺寸图
Outline dimension of SCZ (B) 9-□~□/10-0.4

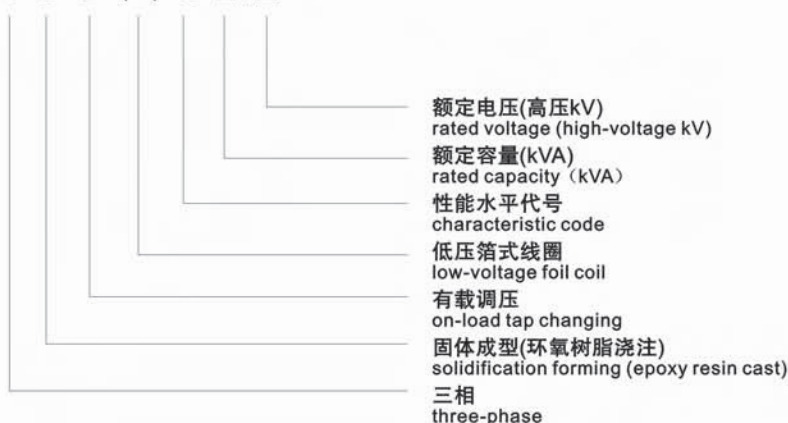
| 额定容量 rated capacity (kVA) | 带保护外壳外形尺寸(mm) outline dimension with protective casing | | | | | | | |
|---------------------------------|---|------|------|------|------|------|-----|-----|
| | L | W | H | D | e | f | g | h |
| 200 | 1450 | 1850 | 1600 | 550 | 1020 | 1060 | 315 | 225 |
| 250 | 1500 | 1900 | 1600 | 660 | 1090 | 1120 | 320 | 230 |
| 315 | 1500 | 1950 | 1600 | 660 | 1100 | 1140 | 325 | 235 |
| 400 | 1600 | 2000 | 1600 | 660 | 1130 | 1240 | 360 | 320 |
| 500 | 1600 | 2050 | 1600 | 820 | 1180 | 1310 | 370 | 330 |
| 630 | 1800 | 2050 | 1600 | 820 | 1280 | 1390 | 360 | 320 |
| 800 | 1900 | 2050 | 1600 | 820 | 1340 | 1460 | 360 | 320 |
| 1000 | 1950 | 2050 | 1950 | 820 | 1430 | 1620 | 370 | 325 |
| 1250 | 2050 | 2100 | 2000 | 1070 | 1490 | 1700 | 385 | 340 |
| 1600 | 2100 | 2150 | 2100 | 1070 | 1570 | 1790 | 410 | 370 |
| 2000 | 2150 | 2250 | 2100 | 1070 | 1520 | 1810 | 430 | 405 |
| 2500 | 2200 | 2250 | 2200 | 1070 | 1640 | 1930 | 440 | 420 |
| 3150 | 2350 | 2350 | 2250 | 1070 | 1600 | 1900 | 455 | 435 |
| 4000 | 2400 | 2350 | 2300 | 1070 | 1700 | 2000 | 470 | 450 |



型号含义

Type Meaning

S C Z (B) 10-□/□



产品标准

Product standard

GB/T 10228-1997 GB6450-1986 JB/T10088-2004 GB4208-1993

额定高压 rated high voltage: 10 (11、10.5、6.6、6.3、6) kV

额定低压 rated low voltage: 0.4kV

有载调压范围 on-load regulation range: (±4×2.5%) 或 (±3×2.5%)

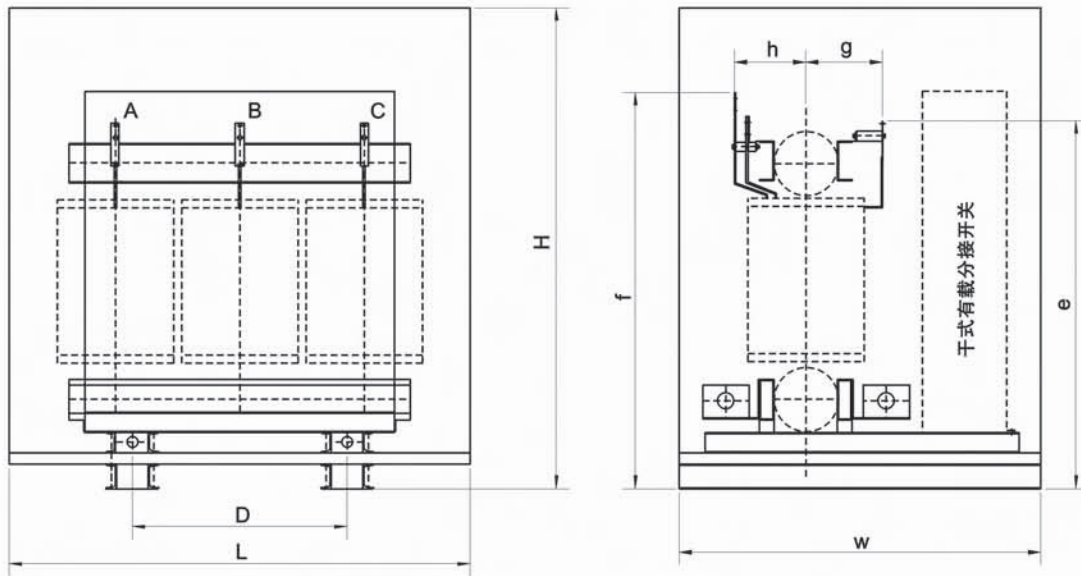
10kV级 SCZ(B)10系列有载调压树脂绝缘干式变压器技术参数

Tech data of 10kV SCZ(B)10 series resin insulation dry-type power transformer

| 额定容量 rated capacity (kVA) | 电压组合 voltage group (kV) | 联结 方式 connection method | 损耗(kW) dissipation | | 空载电流 (%) no-load current | 阻抗电压 (%) impedance voltage | 绝缘等级 insulating level | 重量(Kg) weight |
|---------------------------------|------------------------------------|----------------------------------|-----------------------|------------------|-----------------------------------|-------------------------------------|-----------------------------|------------------|
| | | | 空载 no-load | 负载(120℃) load | | | | |
| 200 | 高压 11 10.5 10 6.3 6 | Dyn11 或 Yyno | 0.690 | 2.660 | 1.6 | 4 | F/F | 1180 |
| 250 | | | 0.790 | 2.900 | 1.6 | | | 1290 |
| 315 | | | 0.970 | 3.610 | 1.4 | | | 1430 |
| 400 | | | 1.080 | 4.240 | 1.4 | | | 1700 |
| 500 | | | 1.280 | 5.150 | 1.4 | 1880 | | |
| 630 | | | 1.475 | 6.270 | 1.2 | 2150 | | |
| 800 | | | 1.670 | 7.400 | 1.2 | 2540 | | |
| 1000 | | | 1.950 | 8.760 | 1.1 | 2950 | | |
| 1250 | | | 2.300 | 10.54 | 1.1 | 3380 | | |
| 1600 | | | 2.700 | 12.41 | 1.1 | 3990 | | |
| 2000 | 低压 0.4 | | 3.680 | 15.22 | 1.0 | 6 | 4400 | |
| 2500 | | | 4.400 | 18.10 | 1.0 | | 5060 | |
| 3150 | | | 5.650 | 23.63 | 0.8 | | 6050 | |
| 4000 | | | 6.560 | 28.35 | 0.8 | | 7350 | |

外形尺寸

Outline dimension



SCZ(B)10-□~□/10-0.4外形尺寸图
Outline dimension of SCZ (B) 10-□~□/10-0.4

| 额定容量 rated capacity (kVA) | 带保护外壳外形尺寸(mm) outline dimension with protective casing | | | | | | | |
|---------------------------------|---|------|------|------|------|------|-----|-----|
| | L | W | H | D | e | f | g | h |
| 200 | 1450 | 1850 | 1600 | 550 | 1020 | 1060 | 315 | 225 |
| 250 | 1500 | 1900 | 1600 | 660 | 1090 | 1120 | 320 | 230 |
| 315 | 1500 | 1950 | 1600 | 660 | 1100 | 1140 | 325 | 235 |
| 400 | 1600 | 2000 | 1600 | 660 | 1130 | 1240 | 360 | 320 |
| 500 | 1600 | 2050 | 1600 | 820 | 1180 | 1310 | 370 | 330 |
| 630 | 1800 | 2050 | 1600 | 820 | 1280 | 1390 | 360 | 320 |
| 800 | 1900 | 2050 | 1800 | 820 | 1340 | 1460 | 360 | 320 |
| 1000 | 1950 | 2050 | 1950 | 820 | 1430 | 1620 | 370 | 325 |
| 1250 | 2050 | 2100 | 2000 | 1070 | 1490 | 1700 | 385 | 340 |
| 1600 | 2100 | 2150 | 2100 | 1070 | 1570 | 1790 | 410 | 370 |
| 2000 | 2150 | 2250 | 2100 | 1070 | 1520 | 1810 | 430 | 405 |
| 2500 | 2200 | 2250 | 2200 | 1070 | 1640 | 1930 | 440 | 420 |
| 3150 | 2350 | 2350 | 2250 | 1070 | 1600 | 1900 | 455 | 435 |
| 4000 | 2400 | 2350 | 2300 | 1070 | 1700 | 2000 | 470 | 450 |





ENVIRONMENTAL PROTECTION DRY-TYPE POWER TRANSFORMER

环保型干式变压器



PROFESSIONAL • PRODUCE

产品特点

Features of Products

SG(B)10型H级绝缘干式电力变压器承受热冲击能力强，过负载能力大、难燃、防火性能高、低损耗、局部放电量小、噪声低、不产生有害气体、不污染环境、对湿度、灰尘不敏感、体积小、不开裂、维护简便。因此，最适宜用于防火要求高，负荷波动大以及污秽潮湿的恶劣环境中。如：机场、发电厂、冶金作业、医院、高层建筑、购物中心、居民密集区以及石油、化工、核电站、核潜艇等特殊环境中。

SG(B)10 type-this series Dry-type Distributing Transformer has strong withstanding of thermal shock, overload capability. Beside, it has many good points such as flame-retardant, low-loss, and low partial discharge capacity, low noise, no harmful gas and no pollution. It is insensitive of humidity and dust, compacted, no crack and so it is easy to be maintained. Therefore, it is suitable for the using in the adverse circumstances of high requirement for fire protection, high degree of load fluctuation and dirty, moist, such as airport, power plant, metallurgy, hospital, skyscraper, shopping center, and residential areas and other special environments like oil, chemical industry, nuclear power plant, nuke, etc.



铁心

Core

铁心采用进口晶粒取向优质高导磁性硅钢片叠装而成。45°全斜接缝结构，绕组与铁心间采用弹性固定装置，使变压器具有较低的空载损耗和噪声。

铁心表面经特殊的工艺处理，既降低变压器噪声又使变压器在运行过程中铁心不会锈蚀。

铁心由拉螺杆适度夹紧，上、下夹件由拉板连接并与底座固定为一体，绕组通过弹性垫块固定，缓冲结构可减轻绕组的震动程度和降低噪声。

The iron core applies imported high-performance cold-rolled grain-oriented silicon-steel plate and it applies 45° fully-inclined joint form. Between the layers of winding, it applies flexible fastening device and makes no-load loss and noise low.

The iron core surface is dealt with special craft which makes the noise low and the iron core rustless during running.

The iron core is clamped by tensile rod and no punched hole. The upper and lower clamps are connected by drawplate and fixed with the base. By fixed with flexible pad and cushion structure, it makes the winding of lower vibration and noise.

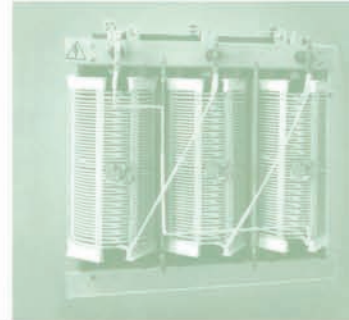


高、低压线圈

HV, LV Coil materials

高、低压线圈选用Nomex[®]绝缘材料，并经VPI真空加压设备多次浸渍无溶剂浸渍漆，并多次高温烘焙固化。高压线圈采用机械强度高，散热条件好的连续式结构，避免了多层圆筒式线圈层间电压高，散热能力差、容易热击穿，以及机械强度低的缺点，从而提高了产品运行的可靠性；低压线圈采用箔式或纵向气道大电流螺旋式结构。浸渍后的线圈防潮性能极佳，更能承受冲击，永无龟裂，无局部放电，寿命期后易于分解回收，保护环境。

The high-voltage and low-voltage coils are made up of Nomex[®] insulating material and dipped in solvent-free immersion paint many times by VPI vacuum pressure device and is solidified by high temperature baking. The high-voltage coil applies continuous mode structure of high mechanical strength and good heat dispersion, avoiding step-shaped multilayered drum type structure which makes high voltage, low heat dispersion, easy to be thermal runaway and low mechanical strength. It is therefore that the reliability of the product is ensured. The low-voltage coil applies foil or strong current helix structure of longitudinal air flue. After dipping, the coil has a good moisture proof, impacting resistance and no chapping, no partial discharge. It can be decomposed and recycled.



外壳

Shield Cover

如用户需要，我公司可提供防护等级为IP20和IP23的外壳。

外壳防护等级IP20的含义为：不容许直径12mm的固体异物进入。为保证冷却空气流通，外壳的底板与顶部由网孔板制成。

外壳防护等级IP23的含义除同IP20外，还可防止与垂线成60°角以内的水淋入。

We could provide the shell of protective grade IP20 and IP23, if it is required by the users.

IP20 configuration of transformer prevent foreign matter whose diameter is bigger than 12mm from entering into the casing; and IP23 configuration can also prevent water whole angle to vertical line is less than 60° from drenching into casing. To ensure the ventilation of cold air, the base plate and the top of the shell are made up of mesh plates.



过热保护

Over-thermal Protection

为对线圈过热采取保护措施，315KVA及以上SG(B)10干式变压器装有一套温度显示保护装置。本装置利用埋入低压绕组内的感温元件作为数显仪的信号源。当低压绕组内温度发生变化时，感温数显仪显示出一个新的温度值，并根据此温度值执行控制及报警功能，以起到保护变压器的作用。

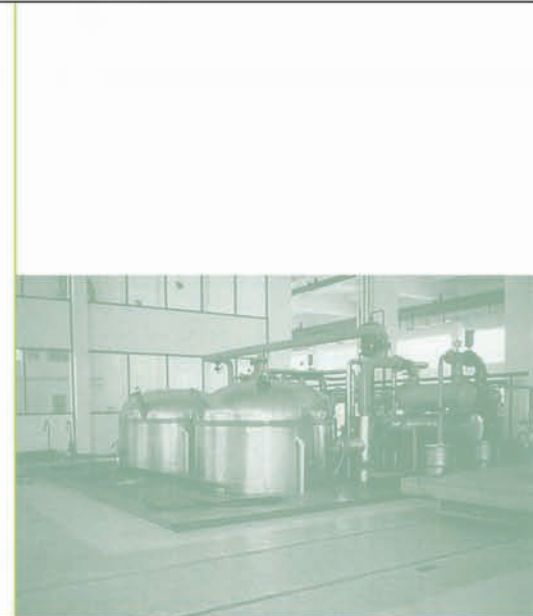
Take thermal safeguard for coil. SG10 dry-type transformer of 315KVA or above employs a set of protecting device----temperature displayer. This device uses the temperature sensor which stays deep in the low-voltage winding as signal source for displayer. When the temperature of low-voltage winding varies, the temperature displayer will show the new value. According this temperature, it will control and alarm to protect the transformer.

过载能力

Over-load Ability

SG(B)10型干式电力变压器采用新结构、新材料、新工艺散热条件好、热寿命长、过负荷能力极强，在120%过负荷下可长期安全可靠工作。在IP23环境下无需风机冷却，仍可长期满负荷运行。

SG(B)10 series dry-type transformer adopts new structure, material and new craftwork. It has good points of good heat dispersion, long thermal endurance and extensive strong overload capability. It can work under 120% overload or work over a long time safely and reliably. Under the situation of IP23, it can run overload over a long time without fan to cool.



安全

Safety

SG(B)10型新产品为当今最高安全性能的干式变压器。所有绝缘材料均不助燃、自熄、无毒，可燃物质不到环氧浇注式产品的10%，在800℃高温下长时间燃烧无有毒烟雾产生，从而克服了环氧浇注式变压器燃烧时产生有毒气体的缺陷。SG(B)10型新产品在电力、地铁、船舶、化工、冶金等对安全要求高、湿热、通风不良的场合更显优越性。

SG(B)10 type-this new kind of product is now the dry-type transformer of highest security performance. All the insulating material is flame-retardant, self-extinguishing and non-poisonous. Its combustible material only takes less than 10% of the epoxy resin product. No poisonous gas is produced when it is burning over a long time under high temperature of 800°C. And with this feature, it overcomes the shortage that epoxy resin would produce poisonous gas when it is burning. It reveals the superiority when the new type product is used in electric power, subway, shipping, chemical industry and metallurgy where is hot, damp, of bad ventilation and require high security.

可靠

Reliability

SG(B)10型新产品的特殊线圈设计、工艺及材料，使产品三防性能极佳（防潮、防霉、防盐雾），更能承受热冲击，永无龟裂、无局部放电产生。

以Nomex[®]为基础的绝缘系统，在变压器的整个使用寿命期都保持极佳的电性能和机械性能。Nomex[®]材料不易老化，耐收缩及抗压缩，加上弹力特强，因此可以确保变压器即使在使用数年之后线圈仍保持结构紧密，并且能够承受短路的压力。

With special coil design, craftwork and material, SG(B)10 type product has good feature of moisture proofing, mold proofing and salt mist proofing. And it has good thermal impact resistance, no chap and no partial discharge.

The insulating system based on Nomex[®] can always keep the best state of electricity performance and mechanical characteristic during the entire period of usage of transformer. Nomex[®] material is not easily aging, of good flexibility and of contraction withstand as well as resistance. Therefore, it can ensure the transformer keeping the coils of compacted structure and able to withstand the voltage of short-circuit after many years of usage.



卓越的耐潮湿性

Excellent Dampproof

Nomex[®]绝缘系统干式变压器足以抵挡水份的侵入。

采用先进的VPI设备和真空浸渍技术。

UL认可的高品质浸渍漆，在180℃及以下的温度下可长期连续运行。

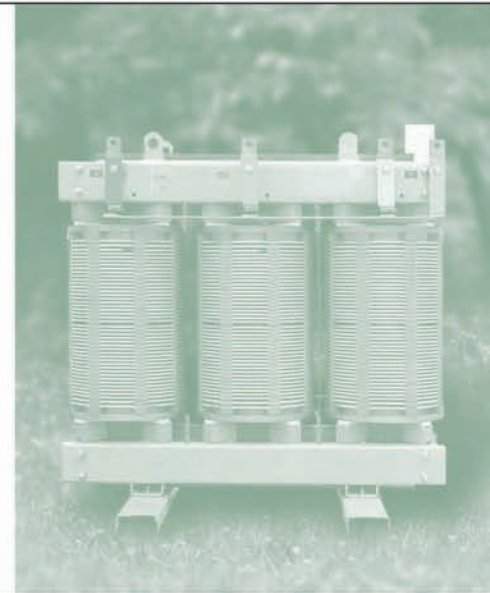
Nomex[®]纸完全由浸渍漆渗透浸渍。

Nomex[®] insulating system dry-type transformer can sufficiently prevent the invasion of moisture.

It applies the advanced VPI equipment and vacuum dipping technology.

With high-quality impregnating varnish that approved by UL, it can keep running over a long period under 180℃ or higher temperature.

Nomex[®] paper is entirely permeant dipped by immersion paint.



体积更小、重量更轻

Volume smaller, weight more light

SG(B)10型新产品采用了杜邦Nomex[®]纸为主绝缘材料，并将其作为变压器最热点处的混合绝缘系统，使该产品与同等容量的环氧树脂浇注式变压器产品相比，减小了尺寸和重量。

SG(B)10 type product applies Nomex[®] paper of Du Pont for main insulating material and takes it as the mixed insulating system in the hottest place of transformer. These make the product more compacted and lower weight when comparing with the epoxy resin cast transformer of the same capacity.

环保

Environmental protection

SG(B)10型新产品寿命期后可以分解回收，克服了环氧树脂浇注干式变压器由于树脂、玻璃丝固化融合成整体，导致寿命期后不可分解，污染环境的缺陷。

SG(B)10 type product can be decomposed and recycled. Epoxy resin cast transformer is made of dry resin and glass fiber which can not be decomposed after its useful period and pollutes the environment. However, this product is made to meet the need of market and solve the problem.



引出线

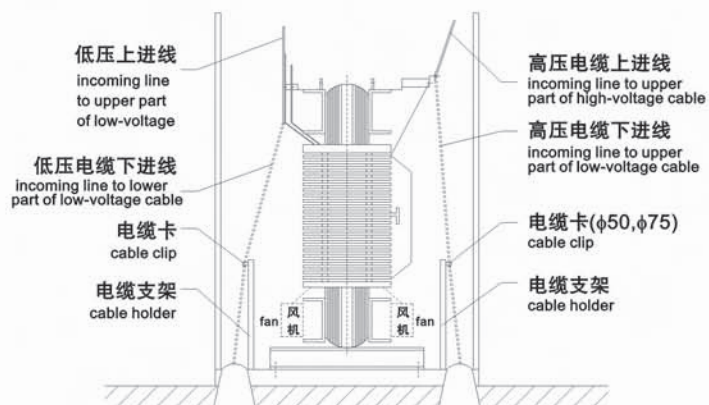
Outgoing wire

高压出线端子固定在绕组上部，分接头在绕组中部，在断电的情况下通过联接片变换抽头，从而调节输出电压。

低压出线端子为板式导电排，通过螺栓与引出排可靠连接。

The outgoing terminal of the high voltage coil is fixed in the top of the winding, and its tapping head is connect with the middle of the winding. As power off, it will adjust the output voltage by changing connation head.

The out going terminal of the low voltage coil is board conducting electricity line which is welded by cold pressure and connected with outgoing line by bolt.



进出线方式示意图

sketch map of method of ingoing and outgoing line

型号含义

Type Meaning



使用条件

Using Condition

根据GB 6450-1986《干式变压器》1.2条。当环境最高温度>40℃，海拔高度>1000m时，按照国标有关规定进行修正。要求用户定货时提出。

Basis 1.2 item of GB 6450-1986, 《Dry Power Transformer》, When environment the tallest temperature >40℃, the altitude >1000 ms, carry on correction according to the country relevant standard. Put forward while requesting customer indent.

产品标准

Product standard

GB 6450-1986《干式变压器》
GB/T 10228-1997《干式电力变压器技术参数和要求》

GB/T 17211-1998《干式电力变压器负载导则》
JB/T 10088-2004《6-220kV级电力变压器声级》
GB 4208-1993《外壳防护等级（IP代码）》

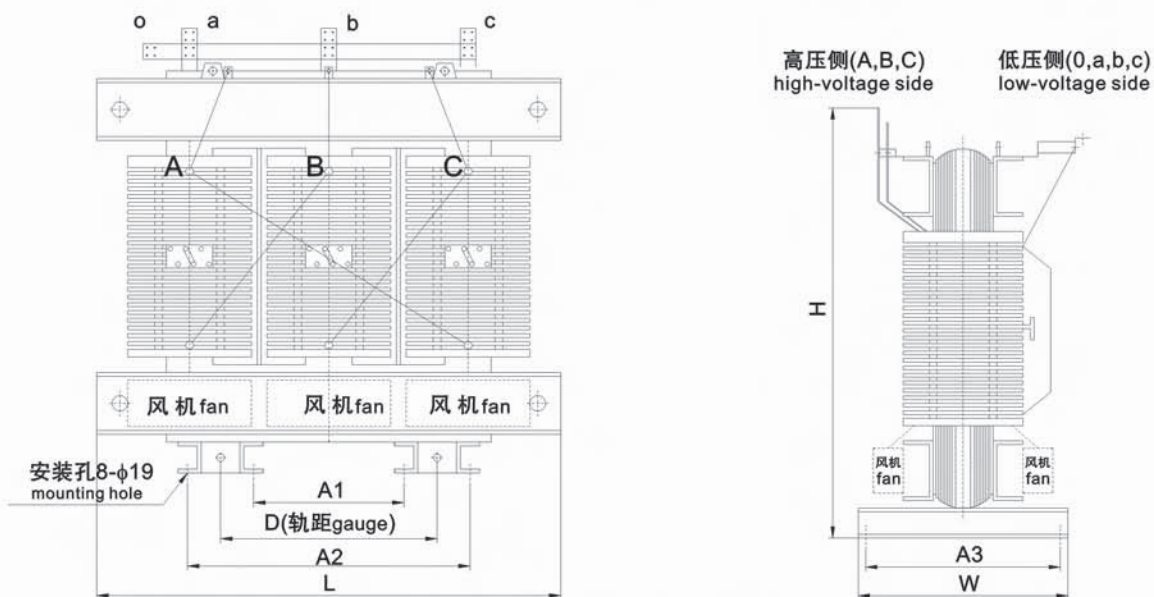
GB 6450-1986 Dry power transformer
GB/T 10228-1997, the technical parameter and reuirement for dry power transformer
GB/T 17211-1998 ,load guideline for dry power transformer
JB/T 10088-2001 , 6~220kV grade power transformer sound level
GB 4208-1993 , case shell protection grade (IP code)



10kV级SG(B)10H级环保型干式变压器技术参数

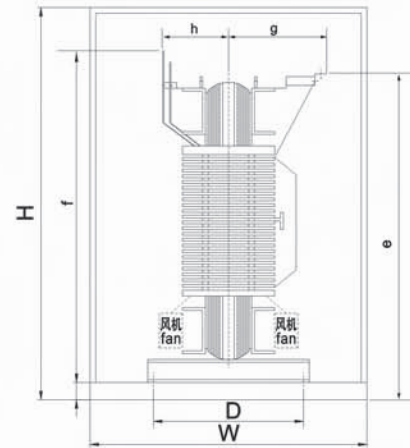
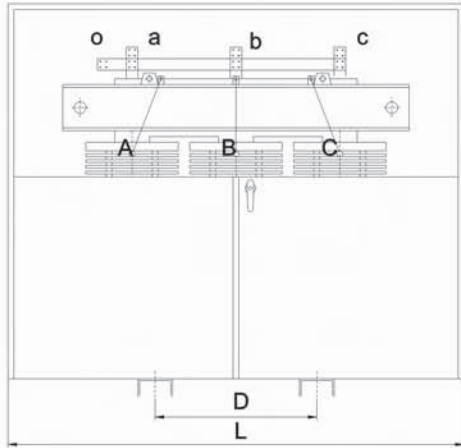
Tech data of 10kV SG (B)10 series H-grade insulating dry-type power transformer

| 额定容量 rated capacity (kVA) | 电压组合 voltage group (kV) | 联结 方式 connection method | 损耗(kW) dissipation | | 空载电流 (%) no-load current | 阻抗电压 (%) impedance voltage | 绝缘等级 insulating level | 重量(Kg) weight |
|---------------------------------|---|----------------------------------|-----------------------|------------------|-----------------------------------|-------------------------------------|-----------------------------|------------------|
| | | | 空载 no-load | 负载(145℃) load | | | | |
| 80 | 高压 11 10.5 10 6.3 6 低压 0.4 | Dyn11 或 Yyno | 0.39 | 1.75 | 2.8 | 4 | H/H | 490 |
| 100 | | | 0.40 | 1.88 | 2.4 | | | 520 |
| 125 | | | 0.48 | 2.13 | 2.0 | | | 650 |
| 160 | | | 0.56 | 2.55 | 1.8 | | | 740 |
| 200 | | | 0.62 | 3.10 | 1.8 | | | 850 |
| 250 | | | 0.72 | 3.60 | 1.8 | | | 1005 |
| 315 | | | 0.88 | 4.60 | 1.8 | 1270 | | |
| 400 | | | 0.97 | 5.40 | 1.8 | 1470 | | |
| 500 | | | 1.16 | 6.60 | 1.8 | 1750 | | |
| 630 | | | 1.35 | 7.90 | 1.6 | 1970 | | |
| 800 | | | 1.52 | 9.50 | 1.6 | 2350 | | |
| 1000 | | | 1.76 | 11.40 | 1.3 | 2620 | | |
| 1250 | | | 2.08 | 12.50 | 1.3 | 3180 | | |
| 1600 | | | 2.44 | 13.90 | 1.3 | 4100 | | |
| 2000 | | | 3.32 | 17.50 | 1.2 | 4500 | | |
| 2500 | 4.00 | 20.30 | 1.2 | 5340 | | | | |



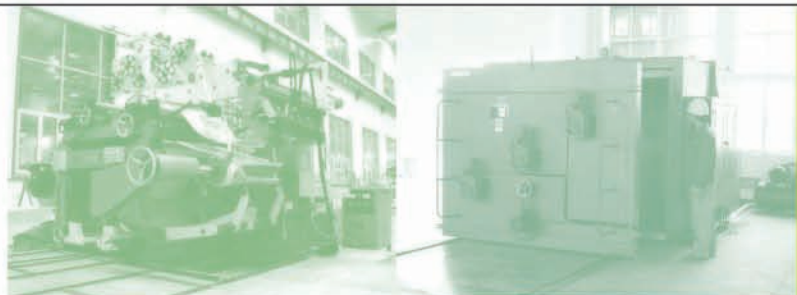
SG(B)10-□~□/10-0.4外形尺寸图
Outline dimension of SG (B) 10-□~□/10-0.4

环保型干式变压器
ENVIRONMENTAL PROTECTION DRY-TYPE POWER TRANSFORMER



SG(B)10-□~□/10-0.4带外壳外形尺寸图
 Outline dimension of SG (B) 10-□-□/10-0.4 type with protective casing

| 额定容量 rated capacity (kVA) | 外形尺寸(mm) outline dimension | | | | | | | 带保护外壳外形尺寸(mm) outline dimension with protective casing | | | | | | | |
|---------------------------------|-------------------------------|------|------|------|-----|------|------|---|------|------|------|------|------|-----|-----|
| | L | W | H | D | A1 | A2 | A3 | L | W | H | D | e | f | g | h |
| 80 | 950 | 550 | 910 | 550 | 550 | 550 | 500 | 1250 | 900 | 1330 | 550 | 1070 | 1080 | 270 | 225 |
| 100 | 950 | 600 | 910 | 600 | 600 | 600 | 550 | 1280 | 900 | 1330 | 600 | 1070 | 1075 | 285 | 245 |
| 125 | 970 | 600 | 920 | 600 | 600 | 600 | 550 | 1300 | 900 | 1350 | 600 | 1075 | 1080 | 290 | 245 |
| 160 | 1000 | 710 | 965 | 660 | 660 | 660 | 660 | 1330 | 900 | 1350 | 660 | 1120 | 1125 | 295 | 245 |
| 200 | 1040 | 710 | 990 | 660 | 660 | 660 | 660 | 1360 | 900 | 1400 | 660 | 1145 | 1150 | 300 | 260 |
| 250 | 1090 | 710 | 1045 | 660 | 660 | 660 | 660 | 1400 | 900 | 1450 | 660 | 1200 | 1210 | 305 | 265 |
| 315 | 1120 | 710 | 1120 | 660 | 660 | 660 | 660 | 1450 | 950 | 1500 | 660 | 1260 | 1280 | 315 | 270 |
| 400 | 1240 | 850 | 1185 | 820 | 820 | 820 | 800 | 1600 | 1100 | 1650 | 820 | 1280 | 1345 | 355 | 310 |
| 500 | 1290 | 850 | 1220 | 820 | 820 | 820 | 800 | 1650 | 1200 | 1650 | 820 | 1315 | 1380 | 355 | 310 |
| 630 | 1410 | 850 | 1230 | 820 | 657 | 983 | 800 | 1850 | 1300 | 1650 | 820 | 1350 | 1390 | 355 | 330 |
| 800 | 1460 | 850 | 1350 | 820 | 657 | 983 | 800 | 1850 | 1300 | 1750 | 820 | 1385 | 1510 | 365 | 340 |
| 1000 | 1480 | 870 | 1455 | 820 | 657 | 983 | 820 | 1950 | 1300 | 1950 | 820 | 1500 | 1615 | 345 | 340 |
| 1250 | 1550 | 960 | 1550 | 1070 | 907 | 1233 | 910 | 2000 | 1400 | 1950 | 1070 | 1500 | 1710 | 395 | 375 |
| 1600 | 1660 | 1150 | 1620 | 1070 | 907 | 1233 | 1100 | 2000 | 1400 | 2000 | 1070 | 1625 | 1780 | 405 | 385 |
| 2000 | 1710 | 1150 | 1730 | 1070 | 859 | 1281 | 1100 | 2150 | 1500 | 2150 | 1070 | 1715 | 1890 | 410 | 385 |
| 2500 | 1760 | 1150 | 2030 | 1070 | 859 | 1281 | 1100 | 2200 | 1500 | 2450 | 1070 | 1890 | 2190 | 440 | 410 |



型号含义

Type Meaning



产品标准

Product standard

GB/T 10228-1997 GB6450-1986 JB/T10088-2004 GB4208-1993

额定高压 rated high voltage: 10 (11、10.5、6.6、6.3、6) kV

额定低压 rated low voltage: 0.4kV

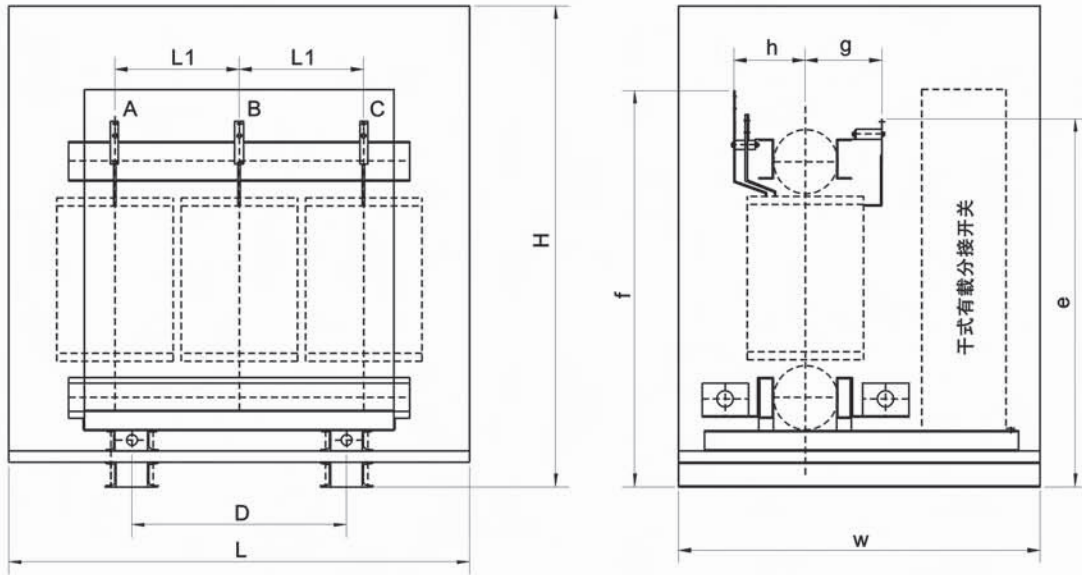
有载调压范围 on-load regulation range: (±4×2.5%) 或 (±3×2.5%)

10kV级 SGZ(B)10 H级有载调压环保型干式变压器技术参数

Tech data of 10kV SGZ(B)10 series on-load regulation H-grade insulation dry-type power transformer

| 额定容量 rated capacity (kVA) | 电压组合 voltage group (kV) | 联结 方式 connection method | 损耗(kW) dissipation | | 空载电流 (%) no-load current | 阻抗电压 (%) impedance voltage | 绝缘等级 insulating level | 重量(Kg) weight |
|---------------------------------|-------------------------------|----------------------------------|-----------------------|------------------|-----------------------------------|-------------------------------------|-----------------------------|------------------|
| | | | 空载 no-load | 负载(145℃) load | | | | |
| 200 | 高压 11 | Dyn11 或 Yyno | 0.65 | 3.10 | 1.8 | 4 | H/H | 1370 |
| 250 | | | 0.75 | 3.60 | 1.8 | | | 1520 |
| 315 | | | 0.92 | 4.60 | 1.8 | | | 1790 |
| 400 | | | 1.00 | 5.40 | 1.8 | | | 2000 |
| 500 | | | 1.20 | 6.60 | 1.8 | | | 2270 |
| 630 | 10 | | 1.40 | 7.90 | 1.6 | 6 | | 2530 |
| 800 | 6.3 | | 1.55 | 9.50 | 1.6 | | | 2930 |
| 1000 | 6 | | 1.82 | 11.40 | 1.3 | | | 3200 |
| 1250 | 0.4 | | 2.12 | 12.50 | 1.3 | | | 3770 |
| 1600 | 2.50 | | 13.90 | 1.3 | 4720 | | | |
| 2000 | 3.40 | 17.50 | 1.2 | 5170 | | | | |
| 2500 | 4.10 | 20.30 | 1.2 | 5860 | | | | |

环保型干式变压器
ENVIRONMENTAL PROTECTION DRY-TYPE POWER TRANSFORMER



SGZ(B)10-□~□/10-0.4外形尺寸图
Outline dimension of SGZ (B) 10-□~□/10-0.4

| 额定容量 rated capacity (kVA) | 带保护外壳外形尺寸(mm) outline dimension with protective casing | | | | | | | | |
|---------------------------------|---|-----|------|------|------|------|------|-----|-----|
| | L | L1 | W | H | D | e | f | g | h |
| 200 | 1900 | 365 | 1600 | 2100 | 660 | 1145 | 1150 | 305 | 215 |
| 250 | 1900 | 375 | 1600 | 2100 | 660 | 1200 | 1205 | 305 | 220 |
| 315 | 1900 | 385 | 1600 | 2100 | 660 | 1225 | 1205 | 315 | 225 |
| 400 | 1900 | 420 | 1600 | 2100 | 820 | 1330 | 1350 | 325 | 285 |
| 500 | 2000 | 435 | 1700 | 2100 | 820 | 1360 | 1380 | 325 | 285 |
| 630 | 2000 | 480 | 1700 | 2100 | 820 | 1360 | 1380 | 325 | 285 |
| 800 | 2100 | 485 | 1700 | 2100 | 820 | 1455 | 1500 | 340 | 295 |
| 1000 | 2100 | 500 | 1700 | 2100 | 820 | 1500 | 1570 | 345 | 295 |
| 1250 | 2200 | 545 | 1800 | 2300 | 1070 | 1540 | 1655 | 370 | 325 |
| 1600 | 2200 | 580 | 1800 | 2300 | 1070 | 1585 | 1695 | 400 | 355 |
| 2000 | 2300 | 600 | 1800 | 2300 | 1070 | 1730 | 1885 | 375 | 365 |
| 2500 | 2300 | 620 | 1800 | 2300 | 1070 | 1830 | 1980 | 395 | 370 |